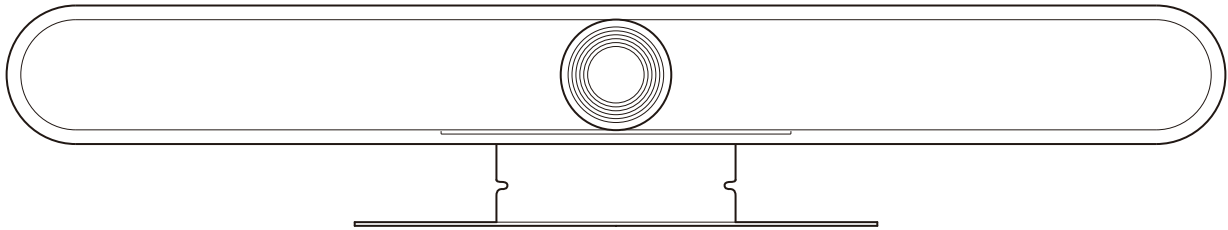


# User Manual

IPEVO VC-B4K

UHD 4K All-in-One Video Bar



**IPEVO**

[www.ipevo.com](http://www.ipevo.com)

Customer Service

Email : [cs@ipevo.com](mailto:cs@ipevo.com)

Copyright © 2024 IPEVO Corp. All rights reserved.

---

## Preface




This manual is to ensure that the user can use the product properly and avoid danger while operating. Before using this product, please read the user manual carefully and keep it properly for future reference.

### Overview :

This manual describes the operation of Intelligent 4K All-in-one Video Bar.

### Graphic Symbols :

Description of graphic symbols used in this manual.

| Symbols   | Description  |
|---|--|
|  | This symbol indicates that the words are clarification or supplement to this article.  |
|  | This symbol indicates that negligence of the instructions may lead to mishandling that may cause injury or property damage.            |
|  | This symbol indicates a risk that may result in damage to this machine or documents. Follow the instructions to avoid property damage. |

# Attention

This manual introduces functions, installations and operations for this product in details. Please read this manual carefully before installation and use.

## Precautions :

This product can only be used in the specified conditions in order to avoid any damage to the camera :

- ① Do not expose the product to rain or moisture.
- ② To prevent the risk of electric shock, do not open the case. Installation and maintenance should only be carried out by qualified technicians.
- ③ Do not use the product beyond the specified temperature, humidity or power supply specifications.
- ④ Please use a soft dry cloth to clean the camera. If the camera is very dirty, clean it with diluted neutral detergent; do not use any type of solvents, which may damage the surface.

## Electrical Safety :

Installation and use of this product must strictly comply with local electrical safety standards.

## Transportation :

Avoid any stress, vibration, or moisture during transportation, storage, installation and operation.

## Installation :

- ① Do not rotate the camera head violently, otherwise it may cause mechanical failure;
- ② This product should be placed on a stable desktop or other horizontal surface. Do not install the product obliquely, otherwise it may display inclined image;
- ③ Ensure there are no obstacles within rotation range of the holder.
- ④ Do not power on before completely installation.

## Do Not Dismantle Camera :

We are not responsible for any unauthorized modification or dismantling.

## Magnetic Interference :

Electromagnetic fields at specific frequencies may affect the video image. This product is Class A. It may cause radio interference in household application. Appropriate measure is required.

# Table of Contents

---

|  |           |
|--|-----------|
| <b>Quick Start</b>                     | <b>4</b>  |
| 1.1 Interfaces                         | 4         |
| 1.2 Device Startup                     | 4         |
| 1.2.1 Power on                         | 4         |
| 1.2.2 Statue Indicator Light           | 4         |
| 1.3 Video Output                       | 5         |
| 1.4 Audio Input                        | 5         |
| 1.5 Audio Output                       | 5         |
| <b>Product Overview</b>                | <b>5</b>  |
| 2.1 Product Introduction               | 5         |
| 2.1.1 Dimension                        | 5         |
| 2.1.2 Supplied Accessory               | 6         |
| 2.2 Product Content                    | 7         |
| 2.3 Technical Specification            | 8         |
| <b>How to Use</b>                      | <b>9</b>  |
| 3.1 Remote Control                     | 9         |
| 3.2 Menu Setting                       | 10        |
| 3.2.1 Main Menu                        | 11        |
| <b>Maintenance and Troubleshooting</b> | <b>14</b> |
| 4.1 Maintenance                        | 14        |
| 4.2 Troubleshooting                    | 14        |

# 1/ Quick Start

## 1.1 Interfaces

| Interfaces    |   |
|---------------|---|
| USB           | USB Type-C  |
| HDMI          | HDMI video output   |
| LINE IN       | 3.5mm input   |
| LINE OUT      | 3.5mm output  |
| Extension Mic | RJ45  |
| Power jacket  | HEC3800 power socket (DC 12V),<br>input AC 100V-AC 240V, output DC 12V/2A |

## 1.2 Device Startup

**1.2.1 Power on : Connect device to power socket with DC12V power adapter.**

### 1.2.2 Status Indicator

| Status                                      | Description  |
|---|--|
| Green lights continuously run left to right | Boot initialization in progress                              |
| Blinking Blue Lights                        | In wireless pairing mode                                     |
| Lights Turn Blue and Stay 3 seconds         | Wireless pairing finished                                    |
| Solid Green Light                           | System on and output from video source                       |
| Blinking Green Light                        | Standby status (VC-B4K is connected without a video display) |
| Solid Red Light                             | Microphone Muted   |

## 1.3 Video Output

- 1. USB:** Connect the device to PCs through USB cable and open the video software to select the device to output.
- 2. HDMI:** Connect the device to monitor through HDMI cable and then select the correct input source on the monitor for output.

## 1.4 Audio Input

1. Built-in audio: By default, the device picks up voice through the built-in microphones.
2. Audio input through 3.5mm linear audio cable: Connect to an external pickup through a 3.5mm audio cable. When connected to an external pickup, the audio input automatically switches to the external pickup.

## 1.5 Audio Output

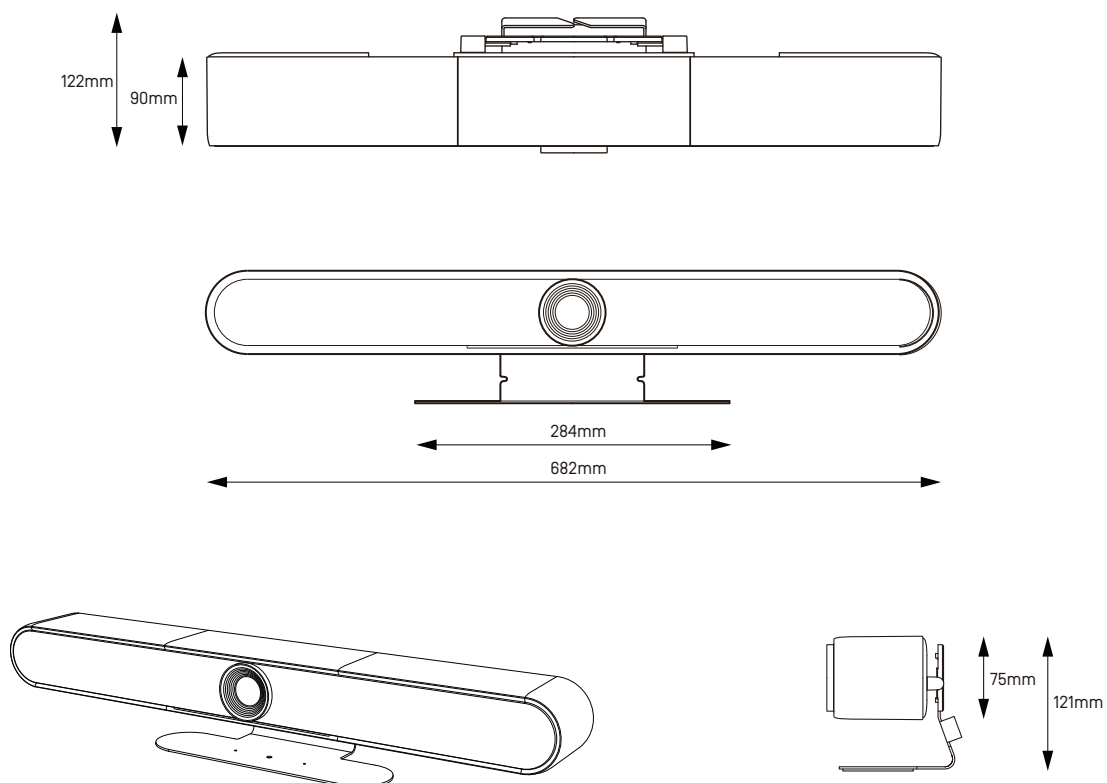
1. Built-in speaker: By default, the device outputs sound through the built-in speaker.
2. Audio output through 3.5mm linear audio cable: Connect to an external speaker through 3.5mm audio cable. When connected to an external speaker, the audio output automatically switches to the external speaker.

# 2 / Product Overview

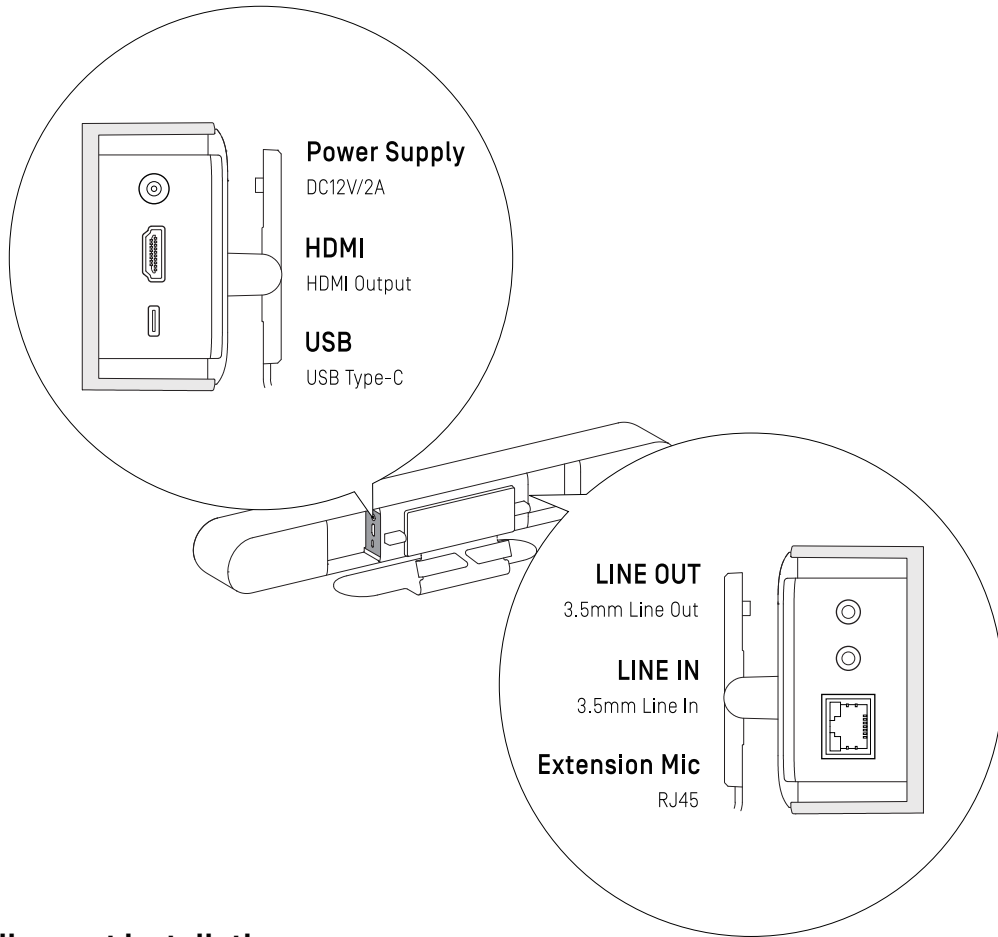
---

## 2.1 Product Introduction

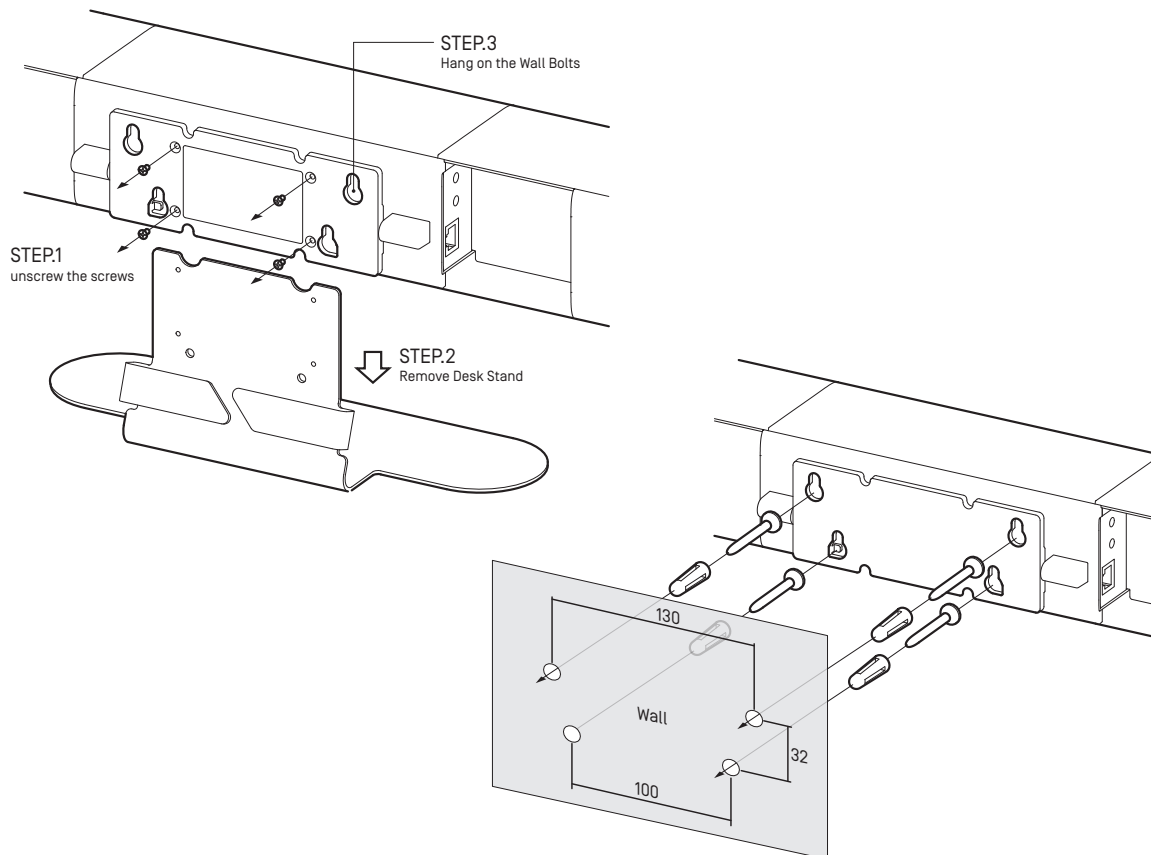
### 2.1.1 Dimension



## 2.1.2 I/O Port



## 2.1.2 Wall mount installation



## 2.2 Package Content

| Items  | Quantity |
|--|----------|
| IPEVO VC-B4K UHD 4K All-in-One Video Bar                     | 1        |
| USB cable  | 1        |
| Remote control (Batteries not included, requires 2 x CR2032) | 1        |
| Screw kit  | 1        |
| Quick start guide  | 1        |
| Power adapter  | 1        |

## 2.3 Technical Specification

|               |   |   |  |
|---------------|---|---|--|
| <b>Camera</b> | Lens  | FOV   | 120°(D) /106°(H)/ 72°(V)   |
|               |   | Iris  | F2.0   |
|               |   | Focal Length  | 1.89mm   |
|               |   | Digital Zoom  | 10X  |
|               | Sensor  | High quality CMOS sensor, effective pixel 8 million, 16:9                           |  |
|               | Image   | Minimum Illumination  | 0.5Lux   |
|               |   | DNR   | 2D & 3D  |
|               |   | Focus   | Auto/Manual  |
|               |   | BLC   | On/Off   |
|               |   | Exposure  | Parameter can be adjusted, and AE(Auto Exposure) is available  |
|               |   | Video Adjustment  | Brightness, sharpness, saturation, contrast, white balance, gain, anti-flicker, low brightness compensation and other parameters can be adjusted |
|               |   | ePTZ  | Preset Positions, Auto Framing   |
|               |   | SNR   | ≥50dB  |
|               | Video Fomat   | HDMI : 4KP30,1080P30 compatible downward<br>USB : 4KP30,1080P30 compatible downward |  |
|               | Video Compression Fomat   | MJPEG, YUY2, H.264, H.265, NV12   |  |
| Privacy Cover | The automatic privacy cover will close when there is no image output and open when there is image output. |   |  |

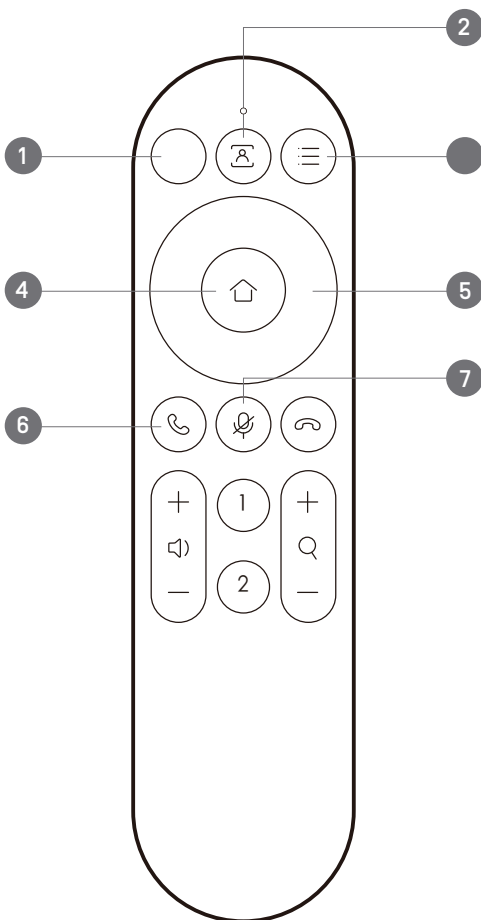
## 2.3 Technical Specification

|                            |                         |  |                       |
|----------------------------|-------------------------|--|-----------------------|
| <b>Audio</b>               | Microphone              | Microphone   | 6*MEMS Microphones    |
|                            |                         | Pickup Distance  | 6m                    |
|                            |                         | Active Noise Suppression (ANS)   | Support               |
|                            |                         | Frequency Response   | 120Hz to 16kHz        |
|                            | Speaker                 | Speaker  | Built in dual speaker |
|                            |                         | Power  | 2*10W                 |
|                            |                         | Output Voice Pressure  | 80±3dB 1.0M/1.0W      |
|                            |                         | Frequency Response   | 100Hz to 20kHz        |
| Audio Processing           | AEC, AGC, ANS           |  |                       |
| <b>All Function</b>        | Group Framing           | Automatically adjust the screen size according to the number of participants to present the best framing   |                       |
|                            | Speaker Tracking        | Track each speaker in real time and ensure that the speaker is in the center of the screen.  |                       |
| <b>Remote Control</b>      | Remote Control          | Infrared remote control (Batteries not included, requires 2 CR2032).   |                       |
| <b>Physical Interfaces</b> | USB                     | USB Type-C   |                       |
|                            | HDMI                    | HDMI video output  |                       |
|                            | LINE IN                 | 3.5mm audio line input interface (when an external pickup is connected, the audio input is automatically switched to the external pickup)                        |                       |
|                            | LINE OUT                | 3.5mm line output, can be connected to external speakers (when connecting to external speakers, the audio output will automatically switch to external speakers) |                       |
|                            | Expansion Mic Interface | RJ45 interface, able to connect to expansion microphone.   |                       |
|                            | Power Interface         | HEC3800 power socket (DC 12V),input AC 100V to 240V output DC 12V/2A   |                       |
| <b>Indicator</b>           | Bar-shaped Indicator    | While displaying the working status, it can also be lit where the speaker's voice comes from.  |                       |
| <b>Wireless Connection</b> | Wireless pairing        | Can connect to a mobile phone or another device via wireless pairing, functioning as a wireless microphone and speaker.  |                       |
| <b>Compatibility</b>       | Available System        | Windows 7, Windows 8, Windows 10, Mac OS X, Linux, Android   |                       |
| <b>Power Supply Method</b> |                         | Supply power through power adapter   |                       |

|                            |                     |   |
|----------------------------|---------------------|---|
| <b>Working Condition</b>   | Storage Temperature | -10°C to +70°C  |
|                            | Storage Humidity    | 20% to 95%  |
|                            | Working Temperature | -10°C to +50°C  |
|                            | Working Humidity    | 20% to 80%  |
|                            | Environment         | Indoor  |
| <b>Installation Method</b> | Wall Mount          | Comes with wall mount bracket. While mounting, the camera needs to be as close to the wall as possible. |
|                            | Desktop             | Comes with desktop mounting bracket.  |

## 3 / How to Use

### 3.1 Remote Control



#### 1 Wireless Connection

- ① Pairing mode : Press wireless connection button for 3 seconds, observe flashing blue light.
- ② Pairing success : Solid green light indicates successful connection with mobile phone/laptop.
- ③ Disconnect : Hold wireless button for 5 seconds to disconnect.

Note : Auto turnoff after 30 seconds if no device is connected.

#### 2 Auto Framing & Voice Tracking

Press the button, and the upper-left corner of the image will display "Auto Frame : ON" or "Auto Frame : OFF."

#### 3 Menu

Press the menu button to enter the submenu for function setting and modification.

#### 4 HOME

- ① The "HOME button" confirms functions and settings.
- ② Wake up the device by pressing the "HOME button" in sleep mode.
- ③ Press "HOME" after zooming to restore the original image position.

#### 5 Up, down, left, right

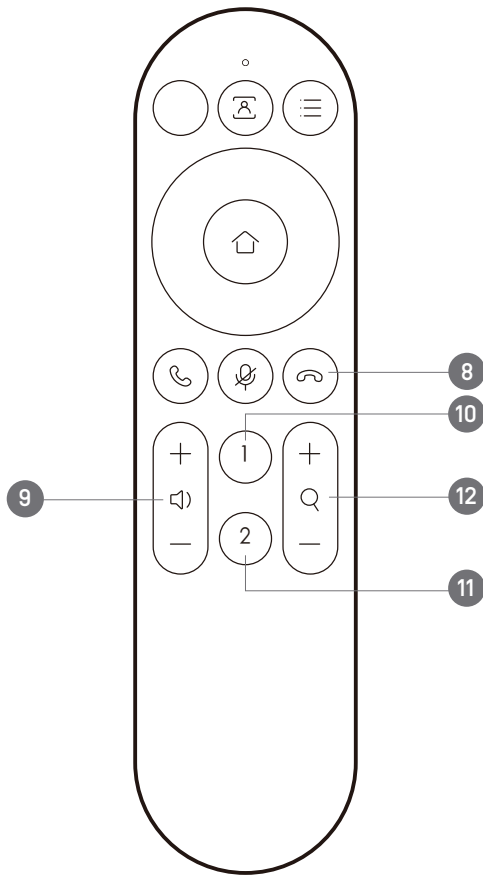
Press the directional buttons to adjust the position.

#### 6 Answer call

Press the button to accept an incoming call when the device is in wireless pairing mode.

#### 7 Microphone muted

In wireless mode, press the button to mute (red indicator) during an incoming call; press again to unmute.



- **Reject the incoming call**  
In wireless connection, press the button to decline an incoming call.
- **9 Volume up/down**  
Press the button to adjust the speaker volume.
- **Set/call out preset #1**  
Hold for 3 seconds to set a preset, short press to activate the preset without Auto Framing.
- **11 Set/call out preset #2**  
Hold for 3 seconds to set a preset; short press to recall it without Auto Framing.
- **12 Zoom in/out**  
Press the button to zoom in/out the image.

Note : Buttons 6, 7, and 8 function well in wireless connection mode with a mobile phone or tablet, but their functionality may be limited when connected wirelessly to a laptop.

## 3.2 Menu Setting

### 3.2.1 Main Menu

Press the menu key on the remote control and use the arrow key to select the desired item.

#### ① Language

Move arrow to (Language), and press [← →] to change the option

**MENU**

-----

|                              |         |
|------------------------------|---------|
| Language                     | English |
| (Setup)                      |         |
| (Exposure)                   |         |
| (Color)                      |         |
| (Image)                      |         |
| (Noise Reduction)            |         |
| (Video Format)               |         |
| (Version)                    |         |
| (Restore Default)            |         |
| [↑↓]Select [← →]Change Value |         |

## ② Setting

Move arrow to (Setting), and press [HOME] to enter the exposure interface.

1. Image Style : Default/ Normal/ Clarity/ Bright /Soft
2. Auto Framing : On/ Off
3. Auto Framing Speed : High/ Medium/ Low
4. Voice Location : On/ Off
5. Location Sen : High/ Medium/ Low
6. Location Indicator Light : On/ Off
7. Max Framing : 3X/5X/10X
8. Location Mode : Smart mode/ Pan mode/ Movies mode/ Meeting mode
9. Prompt Info : On/ Off
10. Menu Mirror : On/ Off
11. USB Mode : BULK/ ISOC

### Setup

|                          |            |
|--------------------------|------------|
| Image Style              | Default    |
| Auto Framing             | Off        |
| Auto Framing Speed       | Medium     |
| Voice Location           | Off        |
| Location Sen             | Medium     |
| Location Indicator Light | Off        |
| Max Framing              | 5X         |
| Location Mode            | Smart Mode |
| Prompt Info              | Off        |
| Menu Mirror              | Off        |
| USB Mode                 | BULK       |

[↑↓]Select [←→]Change Value

## ③ Exposure

Move arrow to (exposure), press [HOME] to enter exposure interface.

1. Exposure mode : Auto/ Manual/ SAE/ Bright mode
2. Exposure Compensation (EV) : On/ Off
3. Compensation Level : -7 to 7 (only available in EV mode)
4. BLC : On/ Off (only available in auto mode)
5. Flicker : 50Hz, 60Hz, Off (only available in Auto, SAE and Bright mode)
6. Gain Limit : 0 to 15 (only available in Auto and Bright mode)
7. Dynamic Range : 1 to 8, close
8. Shutter : 1/25, 1/30, 1/50, 1/60, 1/90, 1/100, 1/120, 1/180, 1/250, 1/350, 1/500, 1/1000, 1/2000, 1/3000, 1/4000, 1/6000, 1/10000 (only available in Manual, and SAE mode)
9. Bright : 0 to 19 (only available in Bright mode)
10. ISO : 100 to 1600 (only available in Manual and SAE mode)

### EXPOSURE

|               |       |
|---------------|-------|
| Mode          | Auto  |
| EV            | OFF   |
| BLC           | OFF   |
| Flicker       | 50Hz  |
| Gain Limit    | 5     |
| Dynamic Range | Close |

[↑↓]Select [←→]Change Value Value

④ **Color**

Move arrow to (color), and press [HOME] to enter color page.

**WB (White Balance) Mode :**  
Auto/ Manual/ Onepush/ VAR

**Saturation :** 0 to 127

**RG (Red Gain) Tuning :** -10 to 10

**BG (Blue Gain) Tuning :** -10 to 10

**AWB (Auto White Balance) Sensitivity :**  
High/ Low/ Middle [only available in Auto mode]

**Hue :** 0 to 8

**Color**  
-----

|                 |      |
|-----------------|------|
| WB Mode         | Auto |
| RG Tuning       | 0    |
| BG Tuning       | 0    |
| Saturation      | 38   |
| Hue             | 4    |
| AWB Sensitivity | High |

[↑↓]Select [← →]Change Value

⑤ **Image**

Move arrow to (image), and press [HOME] to enter image page.

**Brightness :** 0 to 100

**Contrast :** 0 to 50

**Sharpness :** 0 to 15

**Flip-H :** On / Off

**Flip-V :** On / Off

**B&W-MODE :** Color/B&W

**Gamma :** Default, 0.45, 0.50, 0.55, 0.60

**Low-Light Mode :** Open/ Close

**Color**  
-----

|                |         |
|----------------|---------|
| Brightness     | 50      |
| Contrast       | 50      |
| Sharpness      | 5       |
| Flip-H         | OFF     |
| Flip-V         | OFF     |
| B&W-Mode       | Color   |
| Gamma          | Default |
| Low-Light Mode | Close   |

[↑↓]Select [← →]Change Value

⑥ **Noise Reduction**

Move arrow to (Noise Reduction), and press [HOME] to enter Noise Reduction page.

**NR-2D :** 1 to 7, Off

**NR-3D :** 1 to 8, Off

**Noise Reduction**  
-----

|       |   |
|-------|---|
| NR-2D | 2 |
| NR-3D | 5 |

[↑↓]Select [← →]Change Value

⑦ **Video Format**

- 4K30
- 4K25
- 1080P30
- 1080P25
- 1080P29.97

**Video Format**  
-----

- 4K30
- 4K25
- 1080P30
- 1080P25
- 1080P29.97

[↑↓]Select [←→]Change Value

⑧ **Version**

Move arrow to (version).

**Version**  
-----

|              |       |           |
|--------------|-------|-----------|
| CamVersion   | 1.0.3 | 2023-6-20 |
| AudioVersion | 1.0.4 | 2023-5-26 |

[Menu] Return

⑨ **Restore Default**

Move arrow to (Restore Default), and press [HOME] to enter RESTORE DEFAULT page.

Restore default: Yes/ No (color style and video format cannot be restored)

**Restore Default**  
-----

Restore Default?                  No

# 4 Maintenance and Troubleshooting

---

## 4.1 Maintenance

1. If the camera will not be used for a long time, please turn off the power switch.
2. Use a soft cloth or lotion-free tissue to clean the camera body.
3. Use a soft dry lint-free cloth to clean the lens. If the camera is very dirty, clean it with a diluted neutral detergent. Do not use any type of solvent or harsh detergent, which may damage the surface.

## 4.2 Troubleshooting

### 1. No image

- a. Check whether the power cord is connected, the voltage is OK, and the POWER lamp is lit.
- b. Check whether the camera can perform a “self-test” after startup.
- c. Check that the rotary dial on rear works normally.
- d. Check that the HDMI cable is connected correctly.

### 2. Image is shaky or vibrating

Check that the video output and the video monitor cable are functioning properly.

### 3. Remote controller does not control the camera

- a. Check that the battery of the remote control is properly placed and fully charged.
- b. Check that the operating status of the device is normal.
- c. Verify whether the menu has been exited. Only after exiting the menu, the remote control can work normally. If the webpage outputs an image, the menu will not be displayed; then, the menu will automatically exit, and the remote control can work on the camera after 30 seconds without any operation.

**FC** This device complies with Part 15 of the FCC Rules. Operation is subject to the following two conditions:

[1] This device may not cause harmful interference, and [2] this device must accept any interference received, including interference that may cause undesired operation.

This equipment has been tested and found to comply with the limits for a Class B digital device, pursuant to Part 15 of the FCC Rules. These limits are designed to provide reasonable protection against harmful interference in a residential installation. This equipment generates, uses and can radiate radio frequency energy and, if not installed and used in accordance with the instructions, may cause harmful interference to radio communications. However, there is no guarantee that interference will not occur in a particular installation. If this equipment does cause harmful interference to radio or television reception, which can be determined by turning the equipment off and on, the user is encouraged to try to correct the interference by one of the following measures:

- Reorient or relocate the receiving antenna.
- Increase the separation between the equipment and receiver.
- Connect the equipment into an outlet on a circuit different from that to which the receiver is connected. - Consult the dealer or an experienced radio/TV technician for help.


FCC Caution: Any changes or modifications not expressly approved by the party responsible for compliance could void the user's authority to operate this equipment. This transmitter must not be co-located or operating in conjunction with any other antenna or transmitter.

Radiation Exposure Statement: The product complies with the FCC portable RF exposure limit set forth for an uncontrolled environment and are safe for intended operation as described in this manual. The further RF exposure reduction can be achieved if the product can be kept as far as possible from the user body or set the device to lower output power if such function is available.

**CE**

Hereby, IPEVO declares that the radio equipment type IPEVO VOCAL is in compliance with Directive 2014/53/EU and UK Radio Equipment Regulations 2017 SI 2017/1206. The full text of the EU declaration of conformity is available at the following internet address: Fill the website address

**FC** **CE** **RoHS**  
COMPLIANT

|  |  |
|--|--|
| <br><b>Precaution</b> | Do not use/store the product in the following places   |
|  | <ul style="list-style-type: none"><li>• Near heat sources</li><li>• Locations with high humidity</li><li>• Sandy or dusty places</li></ul> |

**IPEVO**