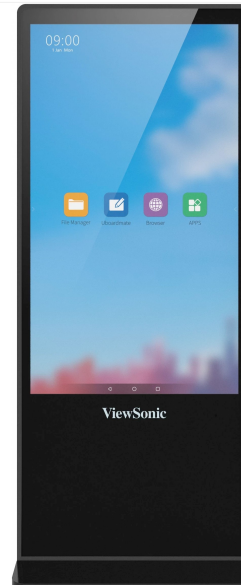


ViewSonic® EPOSTER EP5542

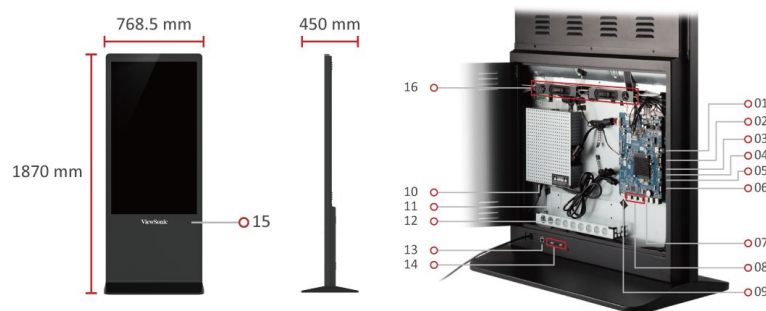
Key Features

- 2160 x 3840 4K resolution
- Embedded media player and 16GB storage
- USB multimedia playback
- Remote settings
- RJ45 connectivity



Product Description

Uber-sleek and slim, the freestanding ViewSonic EP5542 is the ideal digital ePoster kiosk for high-impact visual messaging. Designed with a scratch-proof glass faceplate for added durability, it delivers unsurpassable visibility regardless of dust or ambient light. The 4K UHD IPS panel is equipped with dual 10W stereo speakers, 178° wide-angle viewing, and 450 nits of brightness, projecting crisp, vivid images and videos to engage the crowd. The EP5542 allows seamless multimedia playback with its embedded Quad-core media player and 16GB worth of internal memory. Made for effortless remote control, manage settings of multiple devices wherever via the vController app integrated with RS232 and LAN command.



1. RJ45(LAN In)
2. RS232
3. Audio Out
4. SPDIF
5. PC In(Audio)
6. PC In(VGA)
7. USB 2.0(Type A)

8. HDMI In x3
9. DP In
10. AC Out
11. Power Switch
12. AC In
13. RJ45
14. USB 2.0(Type A) x2

15. Remote Sensor
16. Internal Speakers

Visit Us

www.viewsonic.com

DISPLAY

Panel Size:	55"
Type/Tech:	TFT LCD (VA type,DLED Backlight)
Display Area (mm):	1209.6 (H) * 680.4 (V)
Aspect Ratio:	9:16
Native Resolution:	2160 x 3840
Colors:	1.07B
Brightness:	450 nits (typ.)
Contrast Ratio:	1300:1 (typ.)
Response Time:	9 ms (typ. G to G)
Viewing Angles:	H = 178, V = 178 typ.
Backlight Life:	30,000 Hours Typ.
Surface Treatment:	Anti-Glare 3H, Haze = 2%
Orientation:	Portrait

INPUT

HDMI:	(2.0) x 3
RGB / VGA:	x1
DisplayPort:	(1.2) x 1
Audio:	x1 PC audio(3.5 mm)
RS232:	x1

OUTPUT

Audio:	x1 (Earphone out)
SPDIF:	x1

LAN

RJ45:	x1
-------	----

USB

Type A:	x3 (2.0)
---------	----------

SPEAKERS

10W x 2

COMPATIBILITY

RGB PC/HDMI PC:	1920x1080 @60Hz
HDMI:	2160 x 3840 @60Hz
DisplayPort:	2160 x 3840 @60Hz

ANDROID VERSION

8.0

MULTIMEDIA

Image: JPG, BMP, PNG Video: MP4, MOV, MKV, DAT, MPG, MPEG, AVI, TS, WMV, RM, RMVB Audio: MP3, WAV, AAC

BUNDLE SOFTWARE

Revel Digital, SureMDM

POWER

Voltage:	100-240VAC +/- 10% Wide Range
Consumption:	Normal 126 W, Max 149 W (max.)< 0.5W (Off)

OPERATING CONDITIONS

Temperature (° C):	0°C to 40°C
Humidity:	20% ~ 80% non-condensing

DIMENSIONS (W X H X D)

Physical (inch / mm):	30.26 x 73.62 x 17.72 in/768.5 x 1870 x 450 mm
Packaging (inch / mm):	38.19 x 80.08 x 23.98 in/970 x 2034 x 609 mm

WEIGHT

Net (lb / kg):	138.23 lbs/62.7 kg
Gross (lb / kg):	164.69 lbs/74.7 kg

REGULATIONS

cTUVus, FCC, Energy Star, CE, CB, RoHS, ErP, EEI, WEEE, BSMI

PACKAGE CONTENTS

1. Power Cord 2. Remote control with battery 3. Quick Start Guide 4. Key* Actual content may differ from market to market